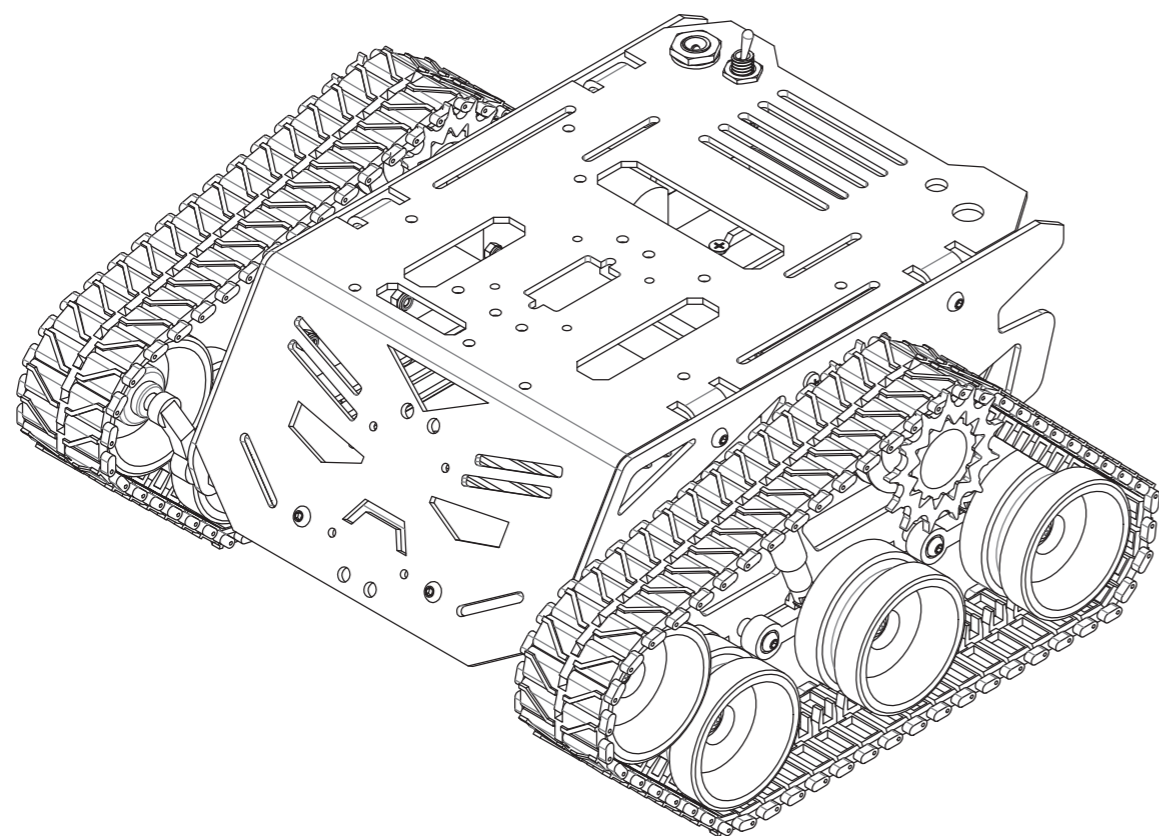


# Devastator Tank Mobile Platform

## 安装说明书

Instruction Manual

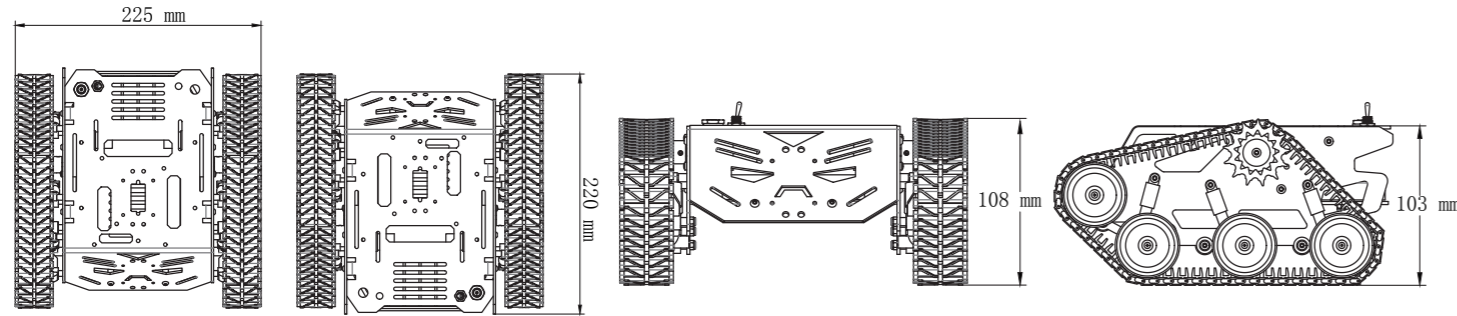


## 目录 Contents

产品特性 Features	1-2
产品安装说明 Assembly Instructions	3
左侧板摇臂组装 Left Panel Rocker Assembly	4
右侧板摇臂组装 Right Panel Rocker Assembly	5
左侧摇臂安装 Left Panel Rocker Installation	6
右侧摇臂安装 Right Panel Rocker Installation	7
电机安装 Motor Installation	8
联轴器安装 Coupler Installation	9
驱动轮安装 Driving Wheel Installation	10
从动轮安装 Driven Wheel Installation	11
电池盒安装 Battery Holder Installation	12
底板安装 Base Panel Installation	13
充电插座与开关安装 Recharger & Power Switch Assembling	14
顶板安装 Top Panel Installation	15
履带系统 Track Installation	16
零部件清单 Parts List	17-19

## 产品特性 Features

### 整机尺寸：



### 简介：

Devastator Tank Mobile Platform 履带机器人是DFRobot 研制的机器人实验平台，该平台不但可以使用当前流行的Arduino控制器，也可以使用Raspberry pi等其他控制器控制。

机身采用高强度铝合金材料，高速电机加优质塑料履带，运动灵活快速，性能卓越的悬挂系统能让机器人轻松的翻越障碍物，适应大部分不规则场地。

履带机器人平台机身设计多种安装孔，兼容各种传感器、舵机、云台和主控板控制器安装(例如Romeo控制器、Raspberry Pi控制器)，非常适合机器人比赛以及其相关研究项目。

整机重量：780克

驱动轮直径：43mm

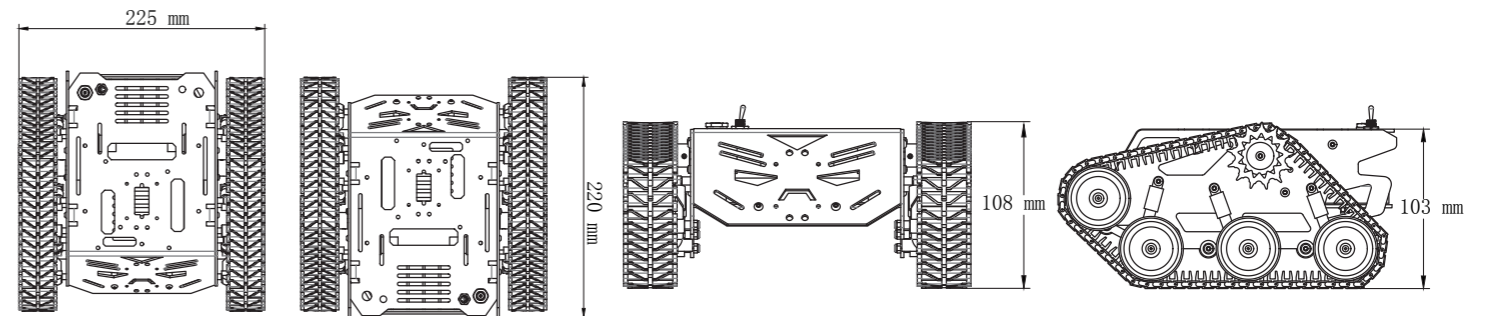
最大行驶速度：36cm/s

### 电机参数：

- 电压输入：3-8V DC
- 减速比：1：120
- 无负载转速(6V)：180RPM
- 无负载运行电流(6V)：160mA
- 堵转电流(6V)：2.8A

## 产品特性 Features

### Dimensions:



### Intro:

Devastator Tank Mobile Platform is our newest robot track platform, it is fully compatible with most popular controllers in the market such as Arduino, Raspberry Pi and so on.

The Devastator uses high strength aluminum alloy which makes it extremely solid and durable. The high speed motors and premium tracks also allows it to move swiftly everywhere. Whatsmore, it benefits from a high performance suspension and enjoys an outstanding mobility across even the toughest terrains.

Users are able to add various sensors, servos, turntables and controllers (e.g. Romeo All-in-one, Raspberry Pi Model B+) with multiple mounting holes on the Devastator platform. It is perfect for hobbyists, educational, competitions and research projects.

Total Weight: 780g

Driving Wheels Diameter: 43mm

Max. Speed: 36 cm/s

### Motor Characters :

- Input Voltage: 3~8V DC
- Gear Ratio: 1:120
- No-load Rev (6V): 180RPM
- No-load Current (6V): 160mA
- Stall Current (6V): 2.8A

# 产品安装说明 Assembly Instructions

以下设备不包括在产品部件清单内，用户需自行配备：

1. 6节AA电池。
2. 控制器以及电机驱动器。

您还需要准备以下工具，并参考零部件清单进行安装：

1. 尖嘴钳。

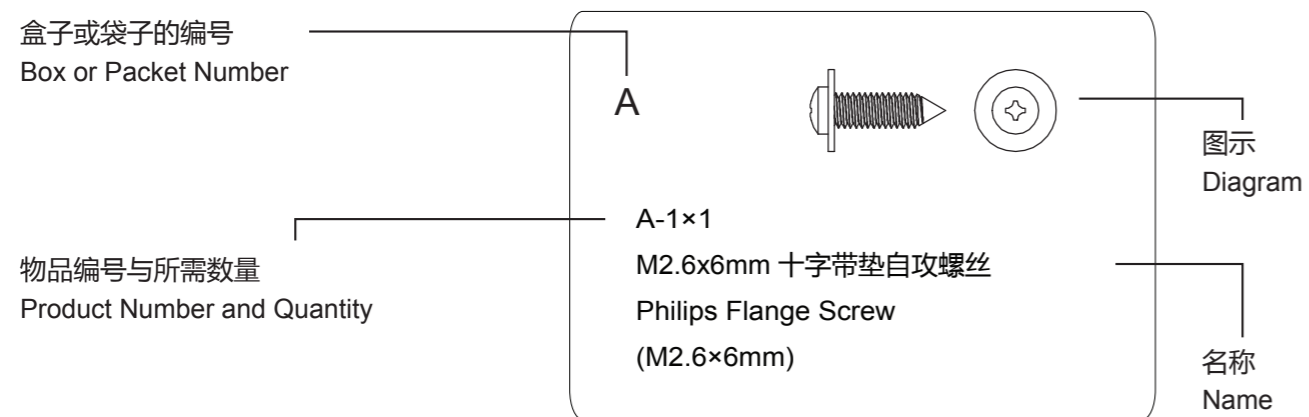
The following parts are NOT included in Product part list:

1. AA battery (6 pieces).
2. Main Controller and Motor Controller.

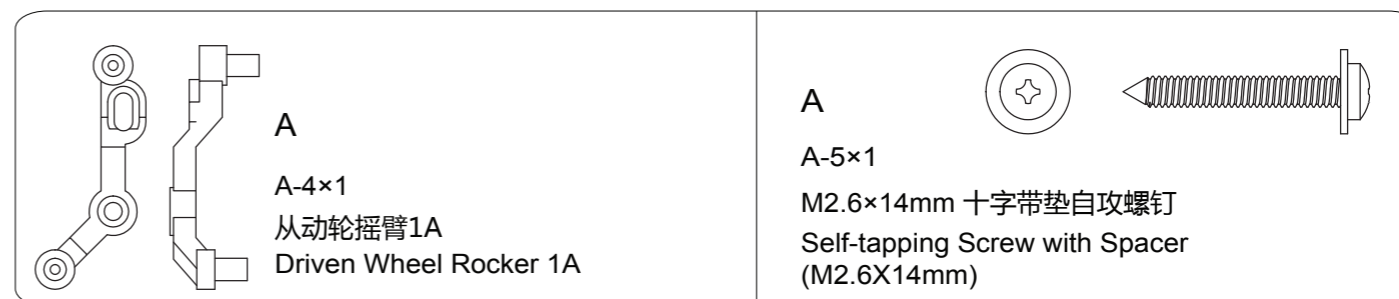
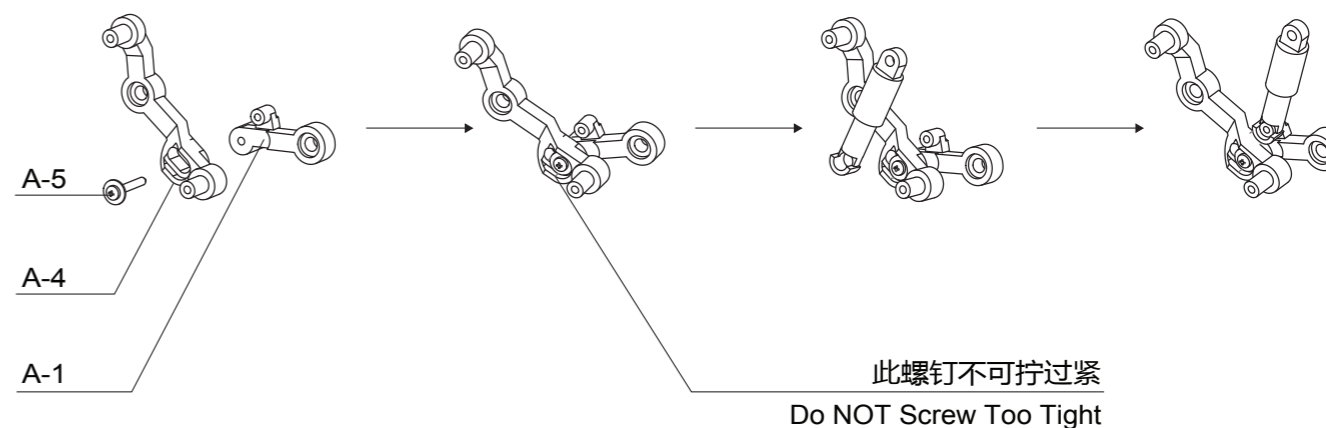
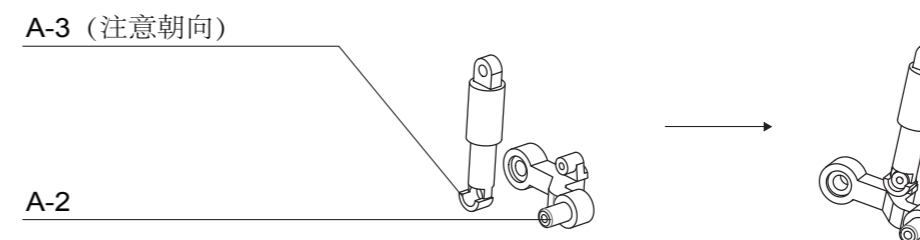
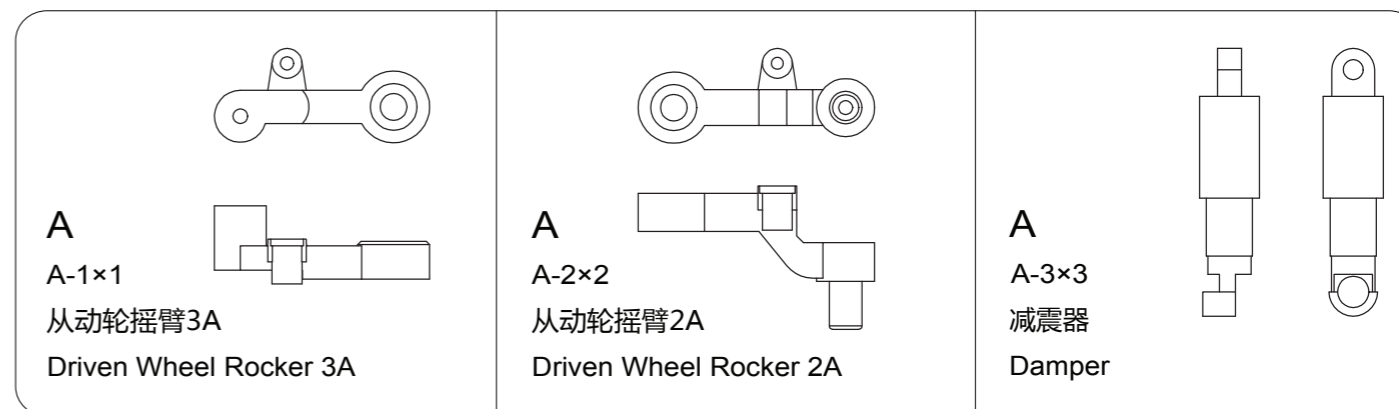
You also need to prepare the following tools, and refer to the parts list for the installation of Product:

1. Needle pliers.

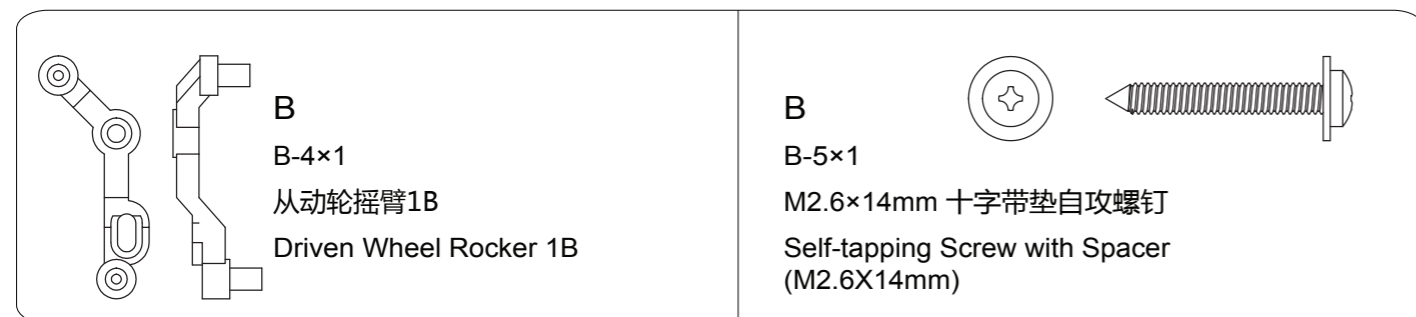
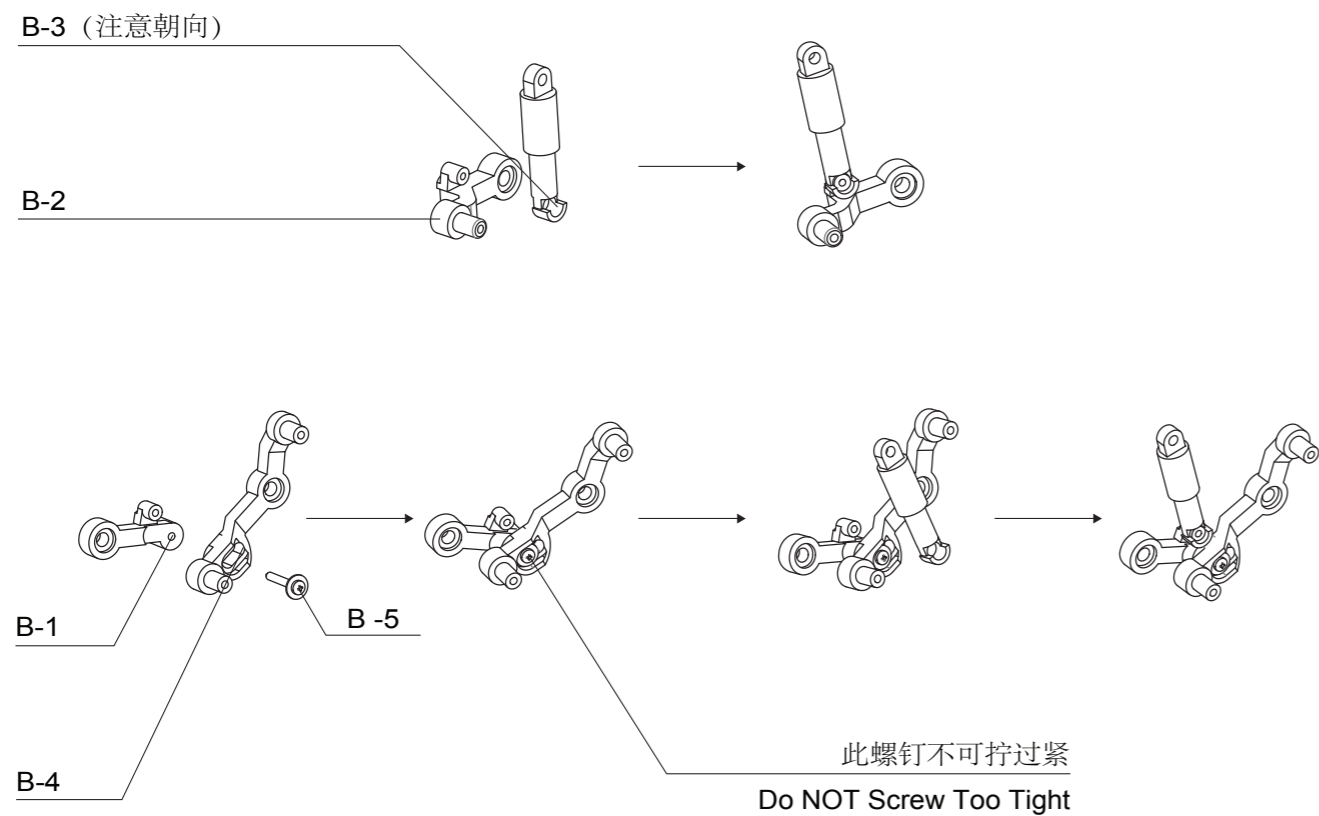
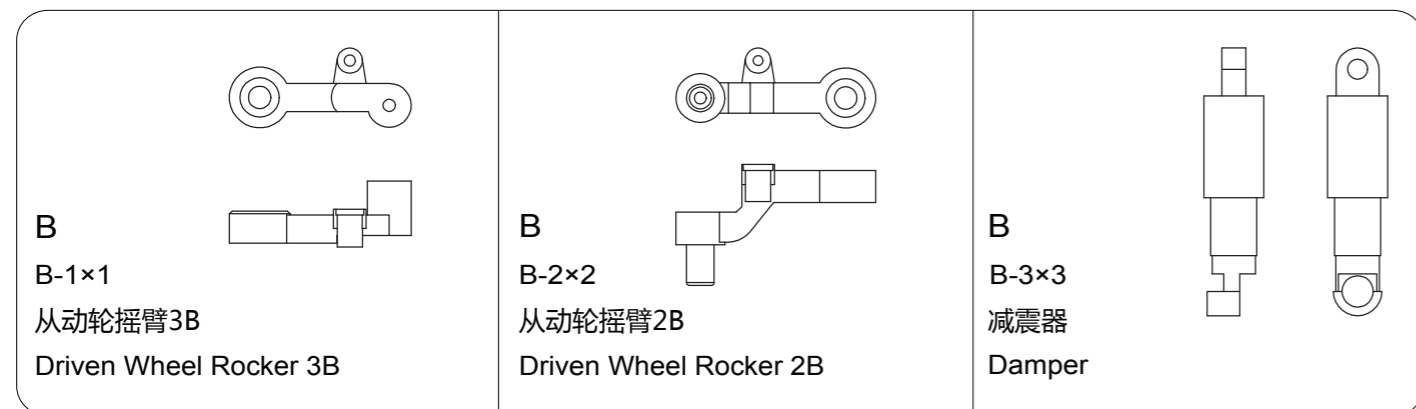
## 标志含义 Symbol Definition



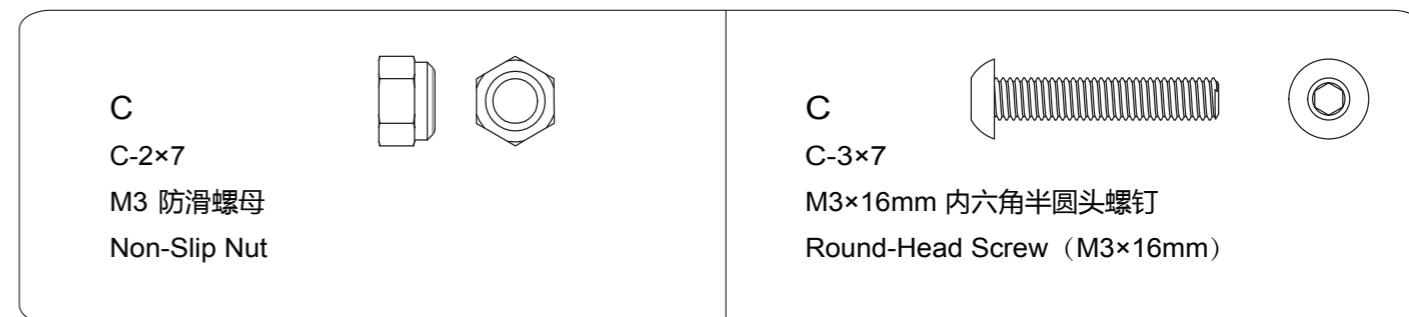
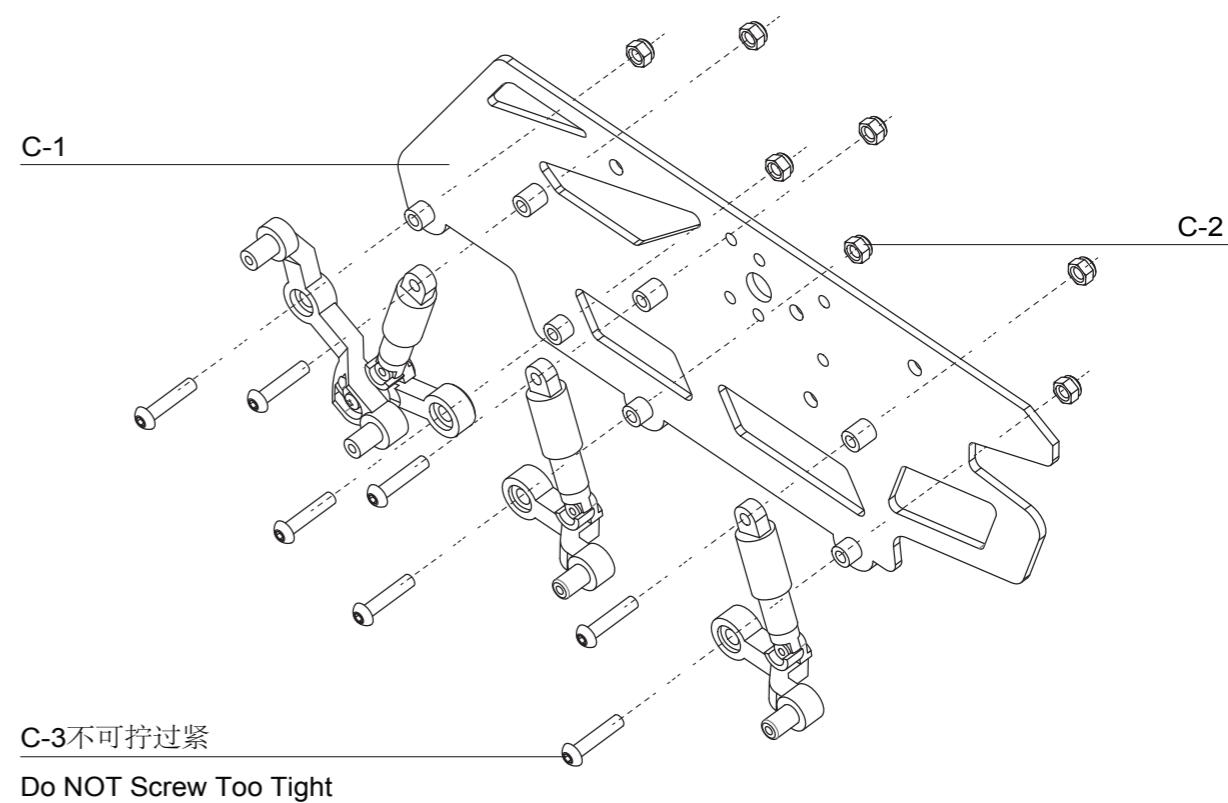
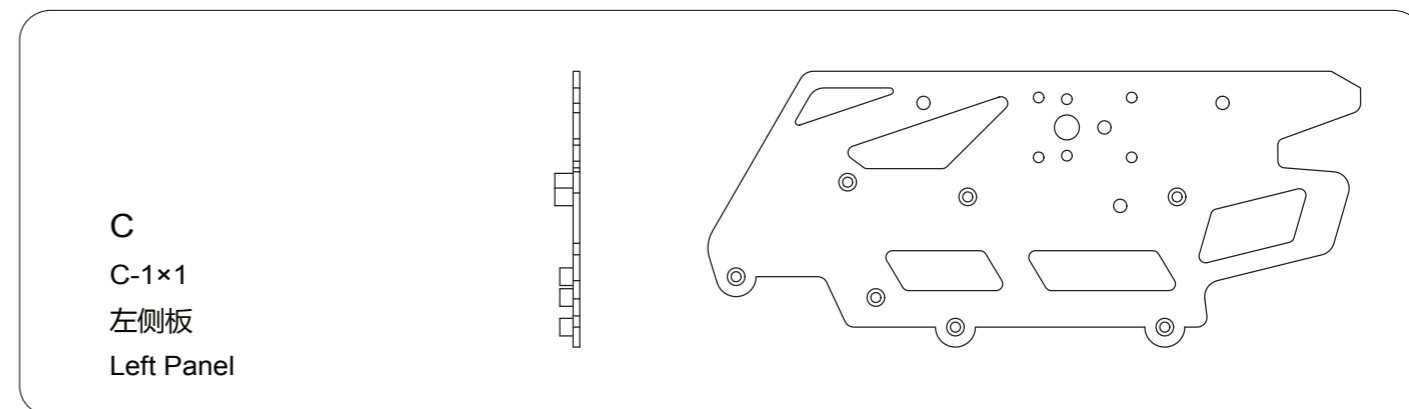
# 左侧板摇臂组装 Left Panel Rocker Assembly



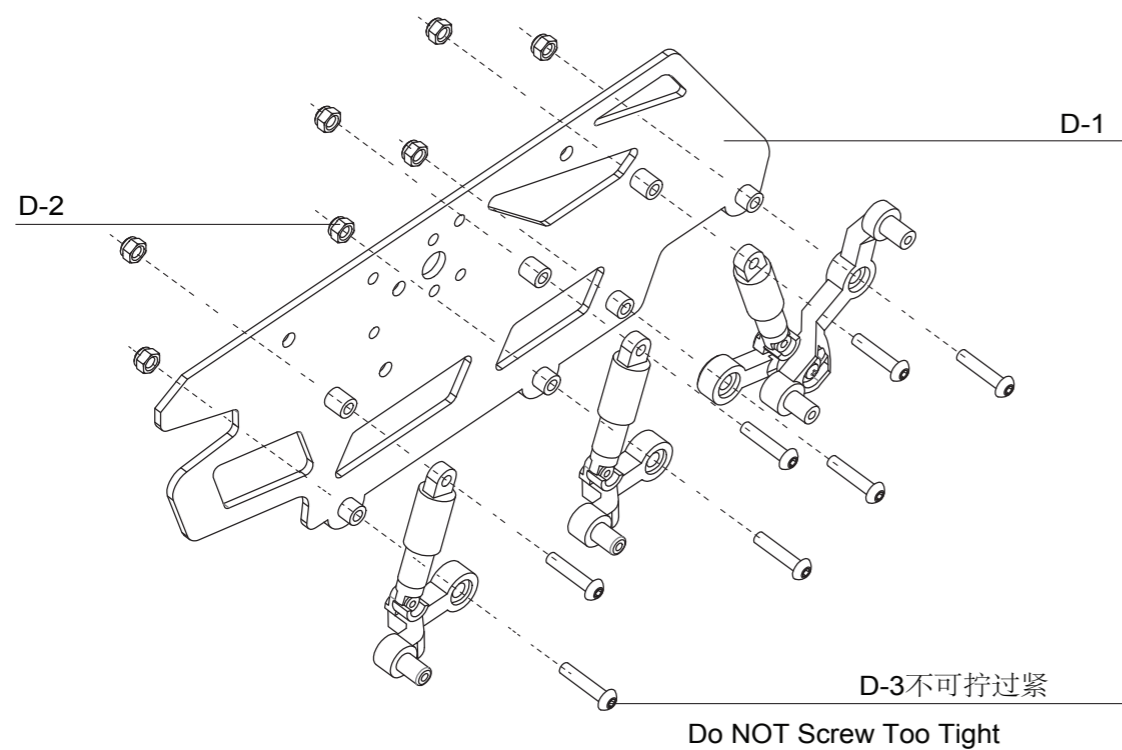
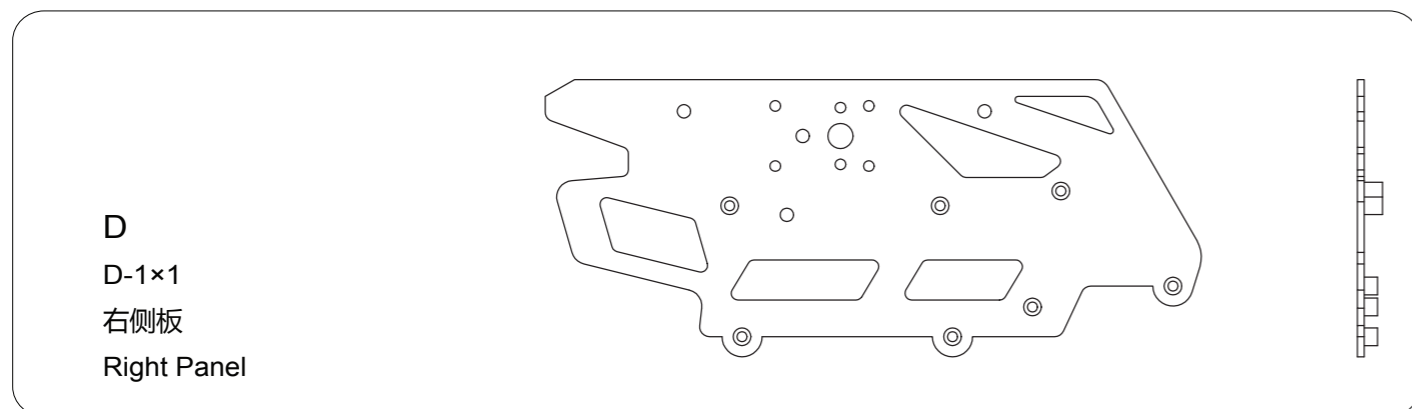
## 右侧板摇臂组装 Right Panel Rocker Assembly



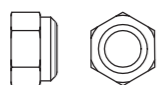
## 左侧板摇臂安装 Left Panel Rocker Installation



## 右侧板摇臂安装 Right Panel Rocker Installation



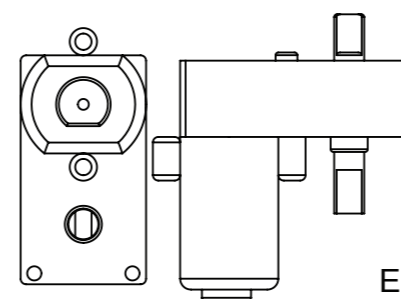
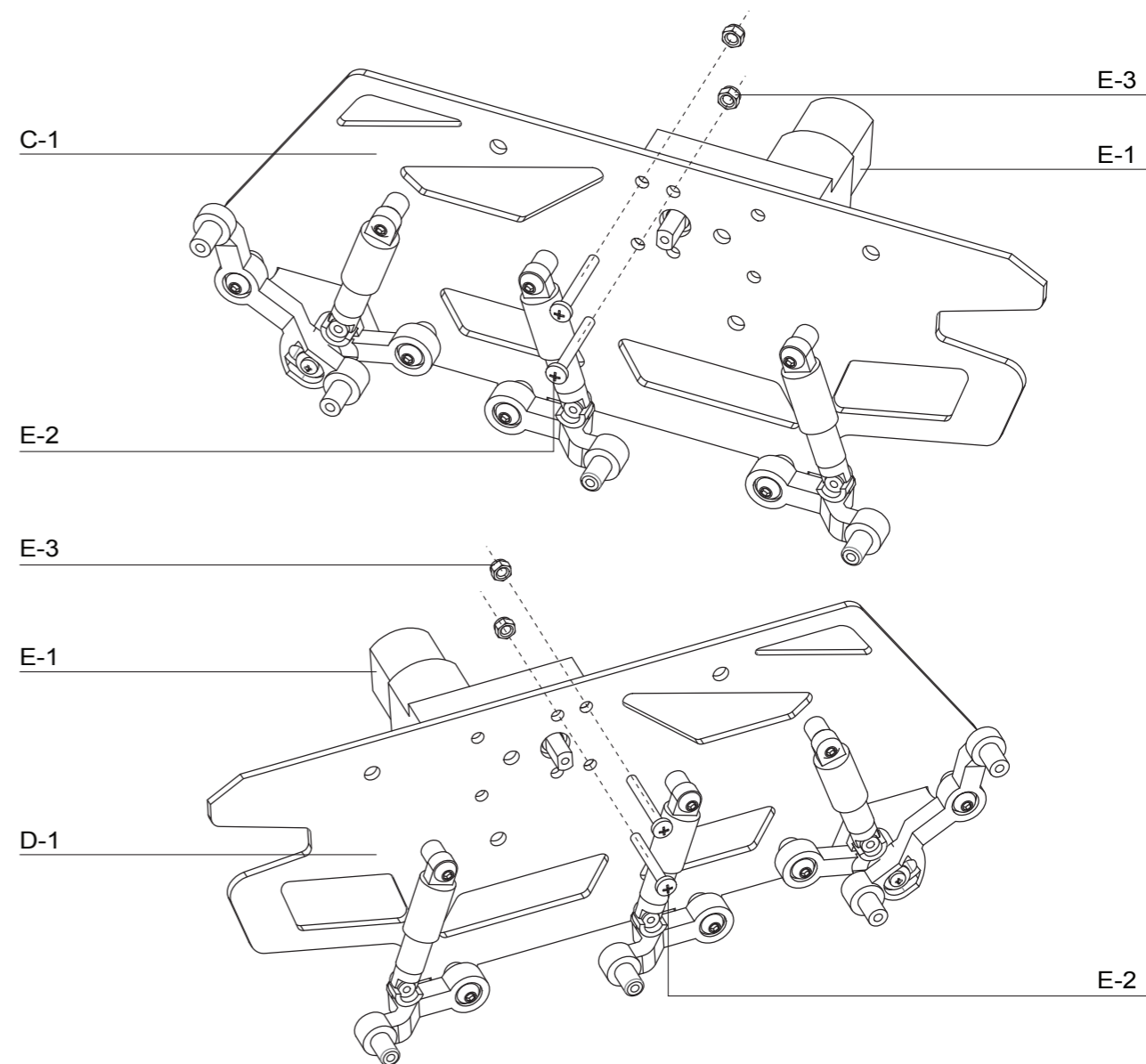
D  
D-2×7  
M3 防滑螺母  
Non-Slip Nut



D  
D-3×7  
M3×16mm 内六角半圆头螺钉  
Round-Head Screw (M3×16mm)



## 电机安装 Motor Installation



E  
E-1×2  
电机  
Motor

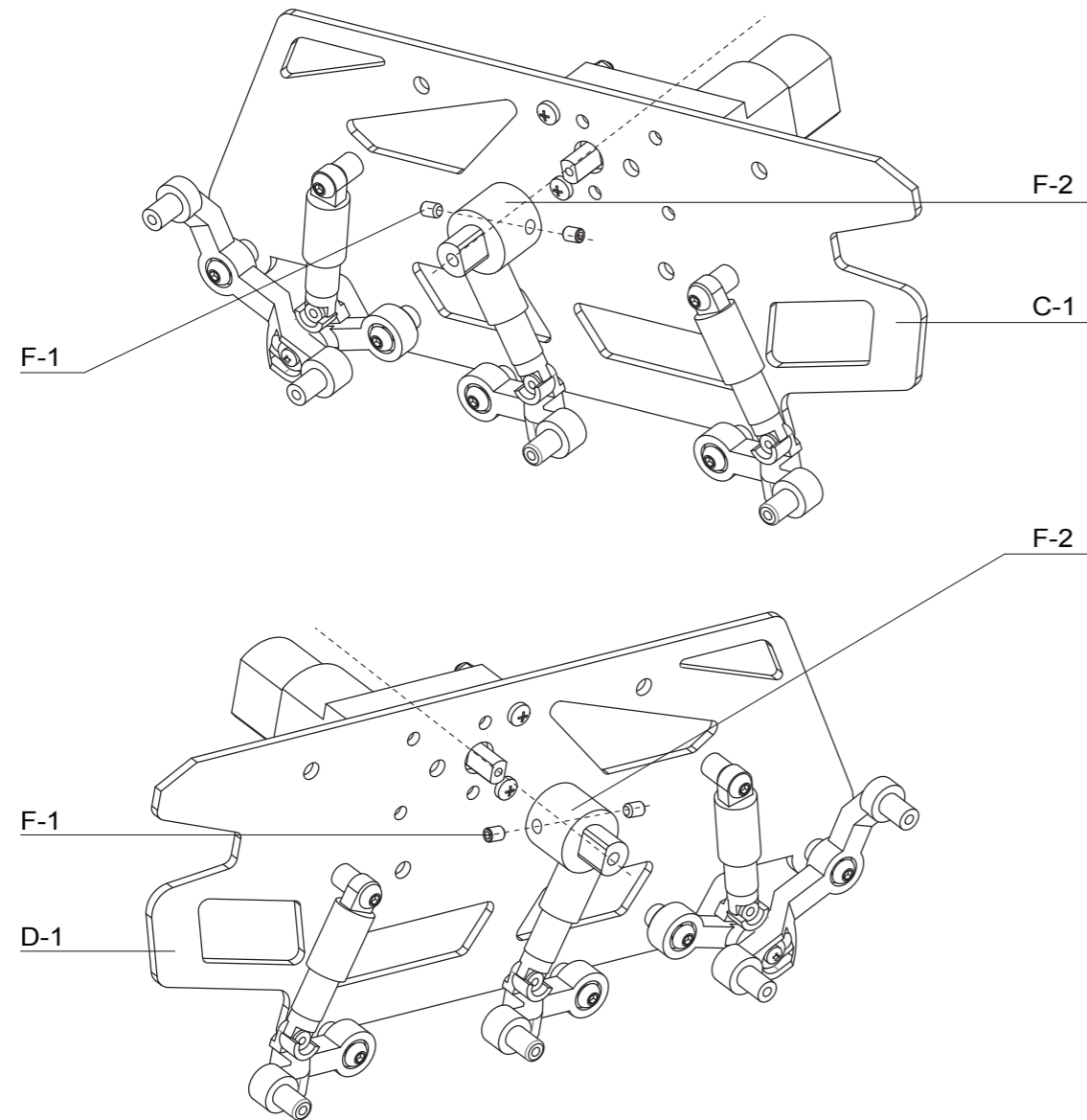
E  
E-2×4  
M2.5×20mm 十字螺钉  
Cross Recessed Screw (M2.5×20mm)



E  
E-3×4  
M2.5 防滑螺母  
Non-Slip Nut



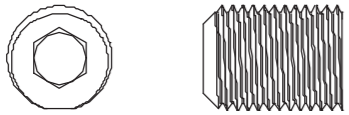
## 联轴器安装 Coupler Installation



F

F-1×4

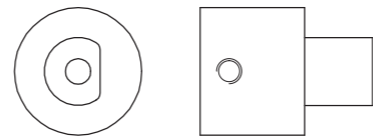
M3×4mm 内六角平端紧定螺钉  
Set Screw (M3×4mm)



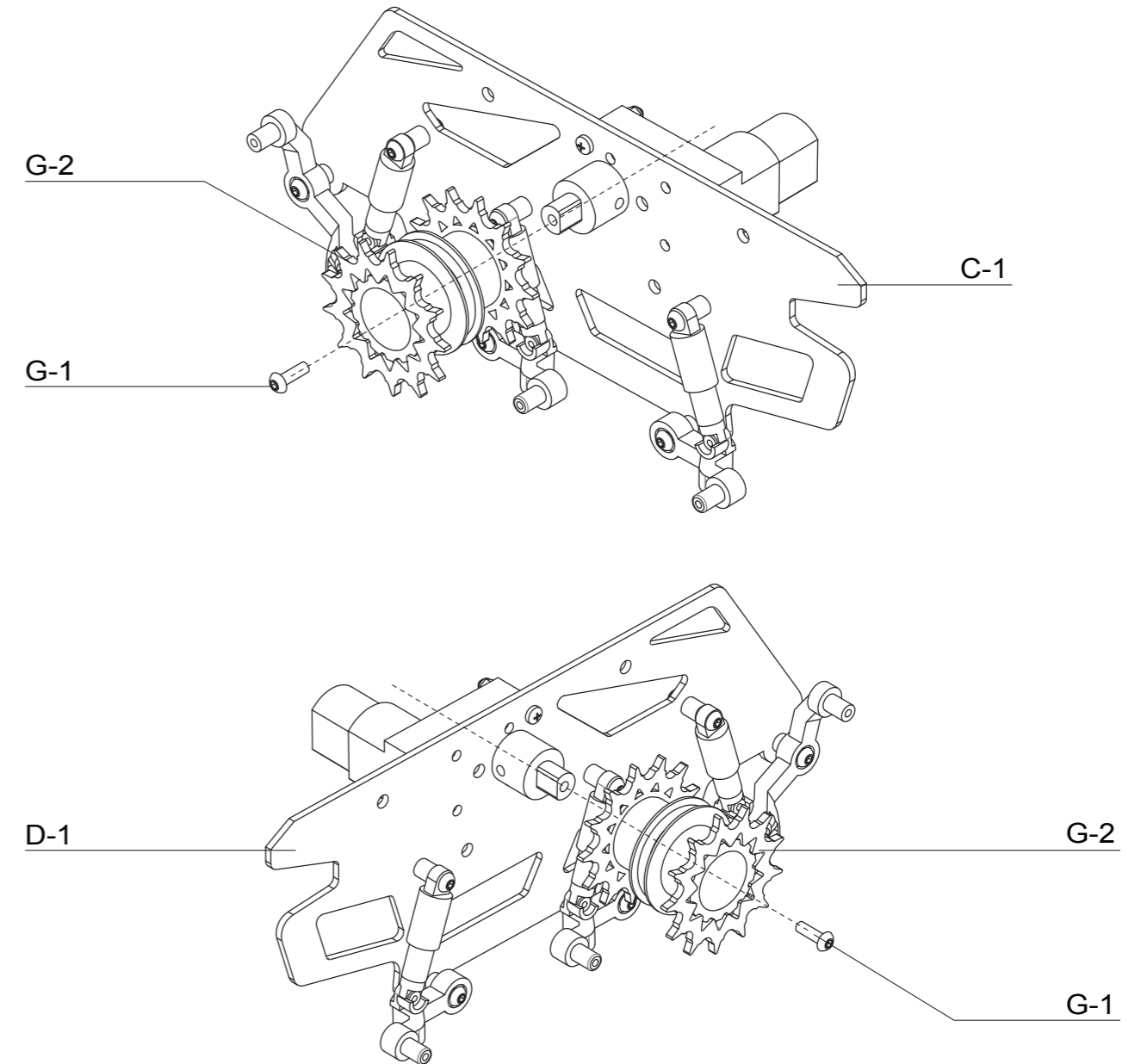
F

F-2×2

联轴器  
Coupler



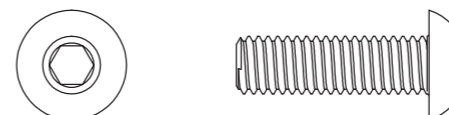
## 驱动轮安装 Driving Wheel Installation



G

G-1×2

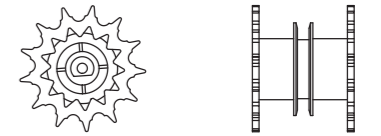
M3×10 内六角半圆头螺钉  
Round-Head Screw (M3×10mm)



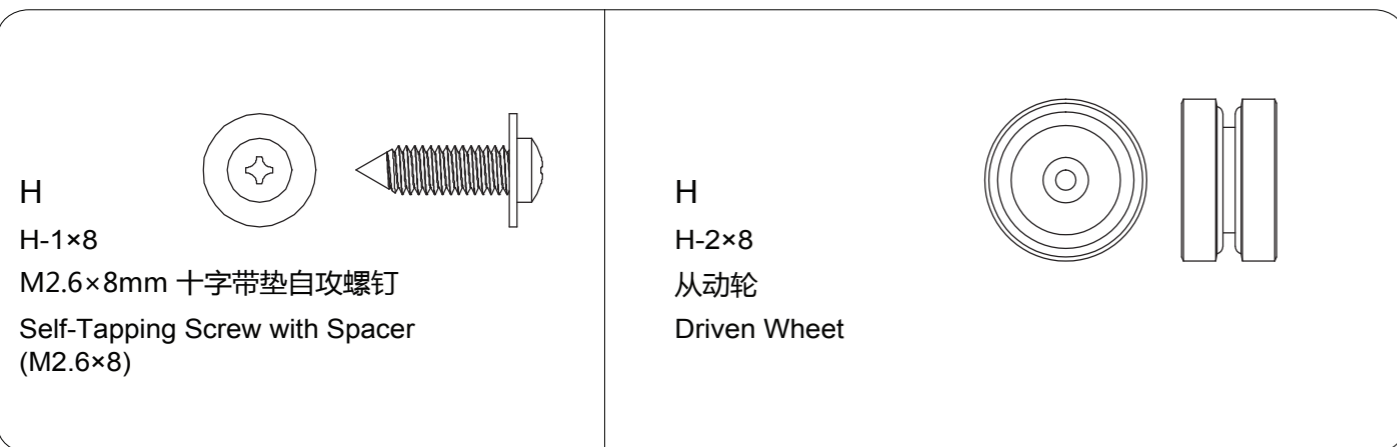
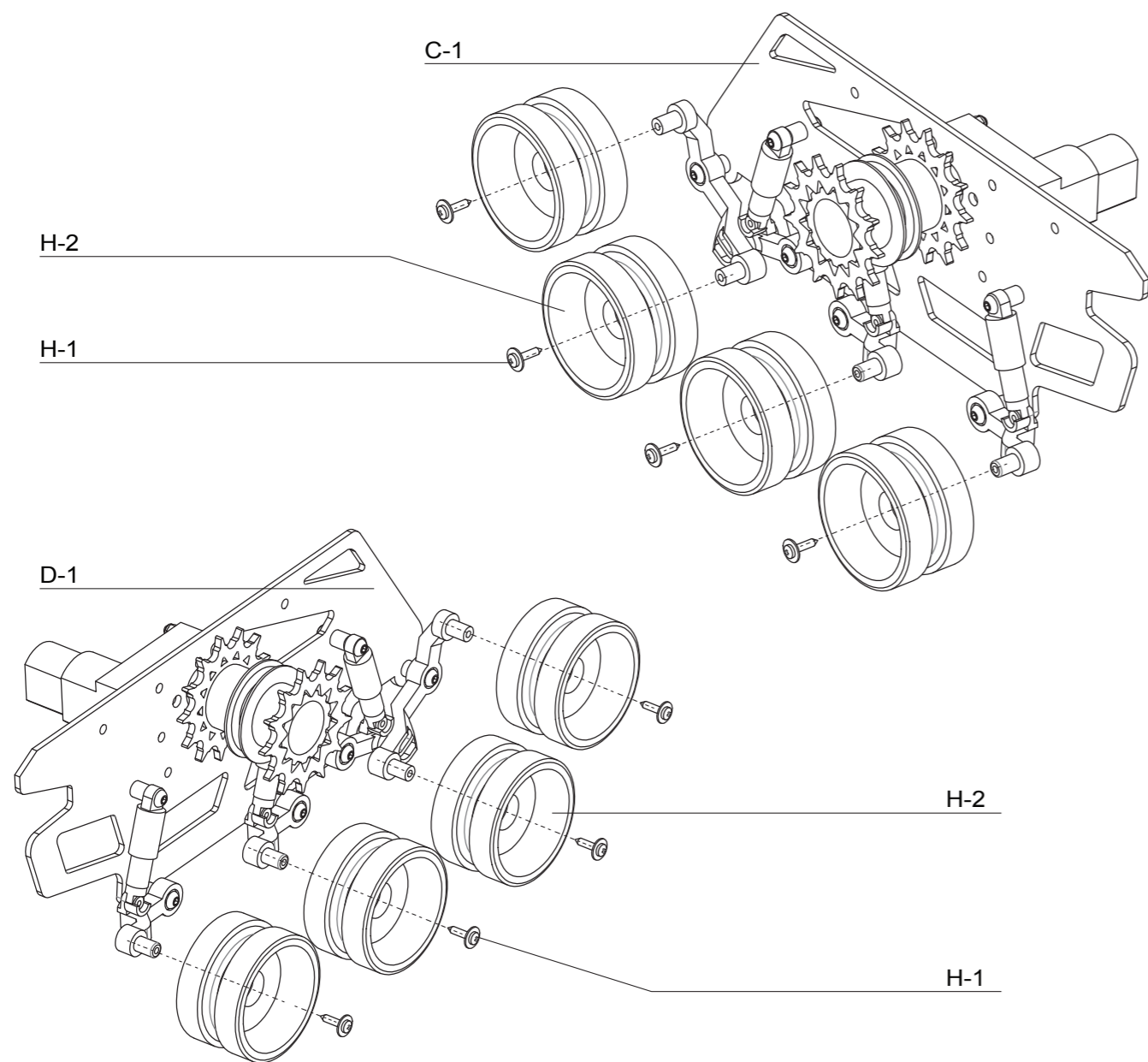
G

G-2×2

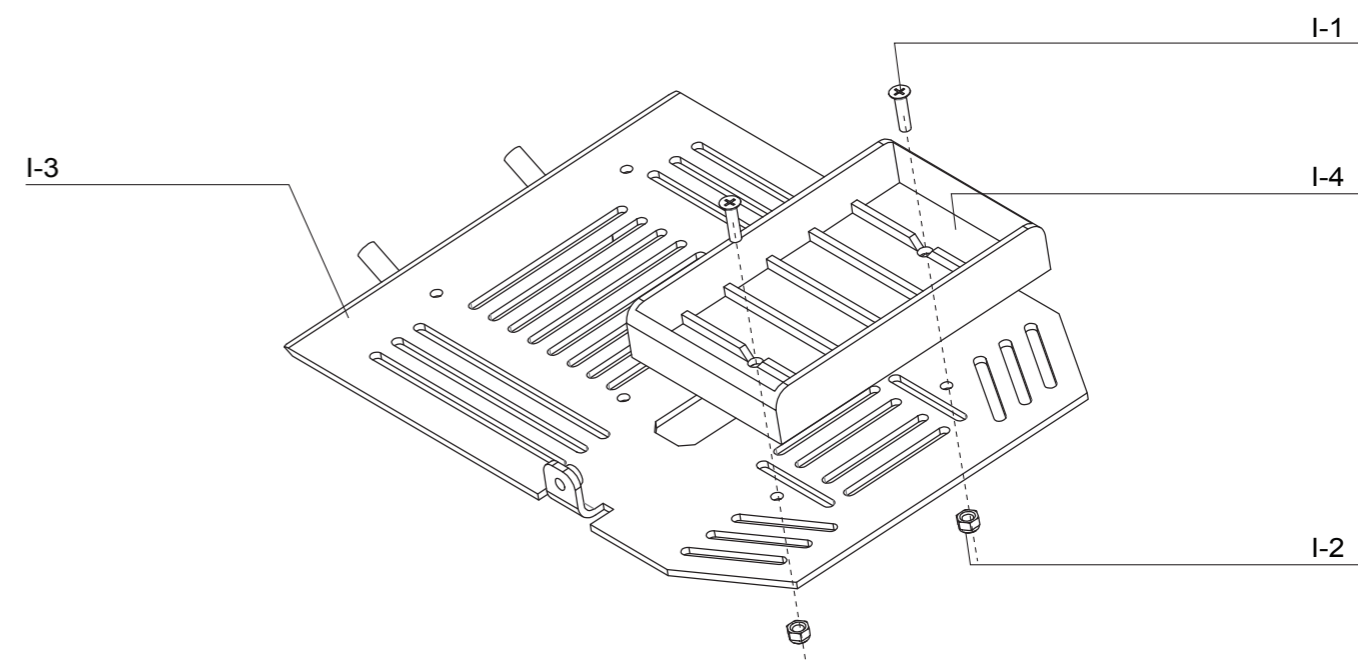
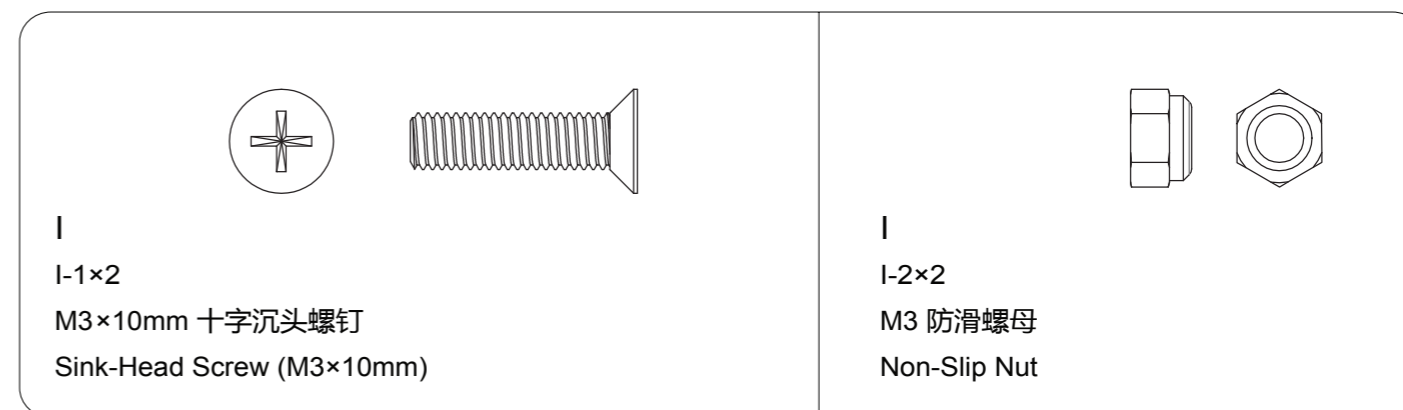
驱动轮  
Driving Wheels



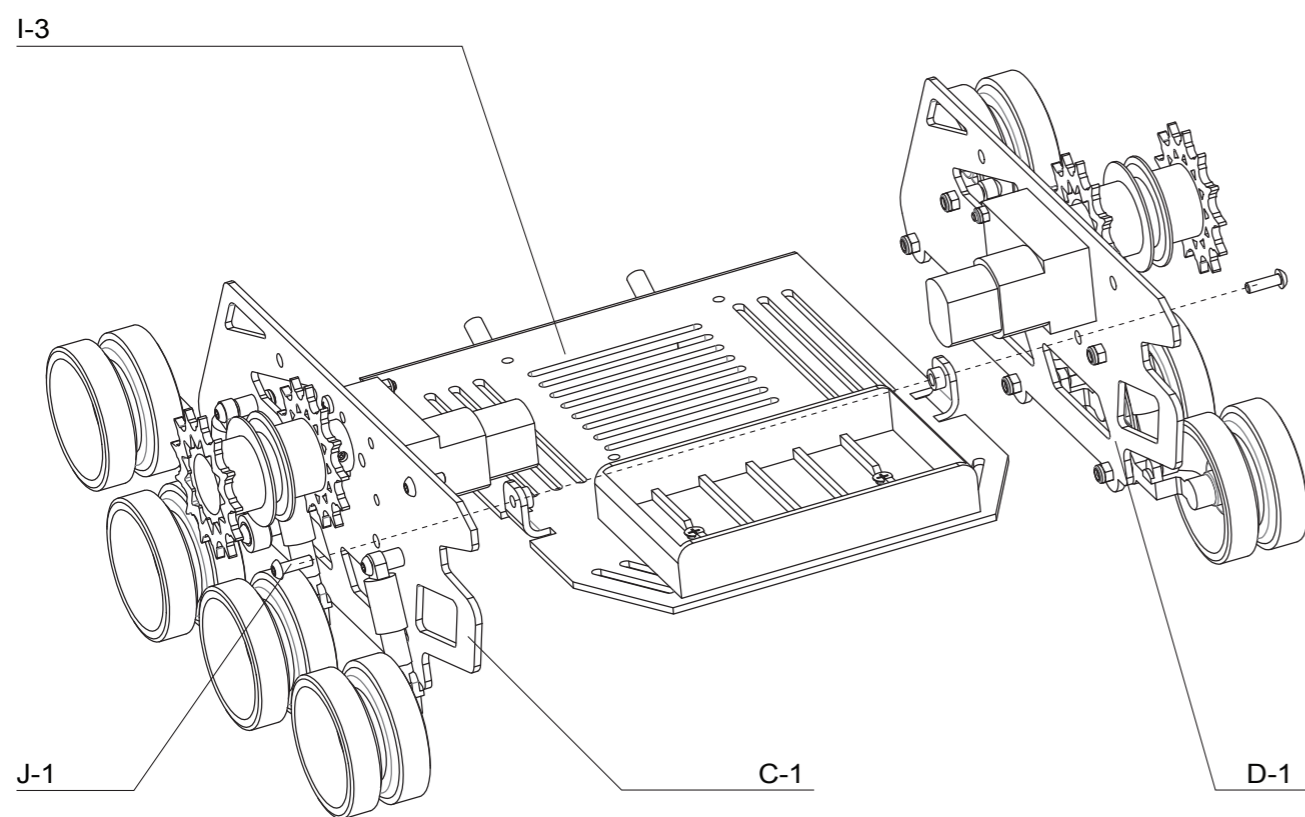
## 从动轮安装 Driven Wheel Installation



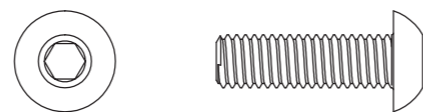
## 电池盒安装 Battery Holder Installation



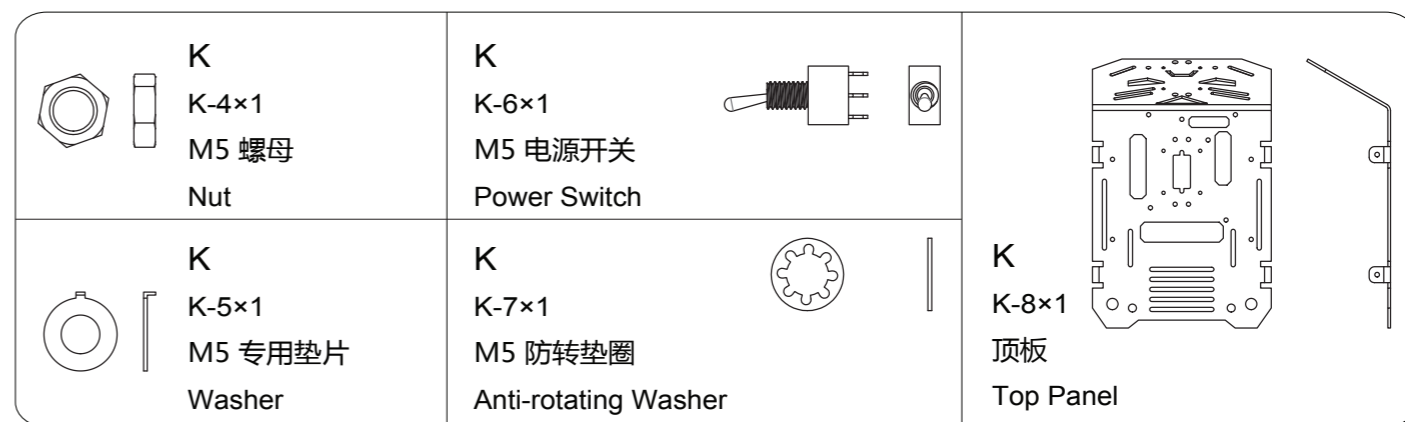
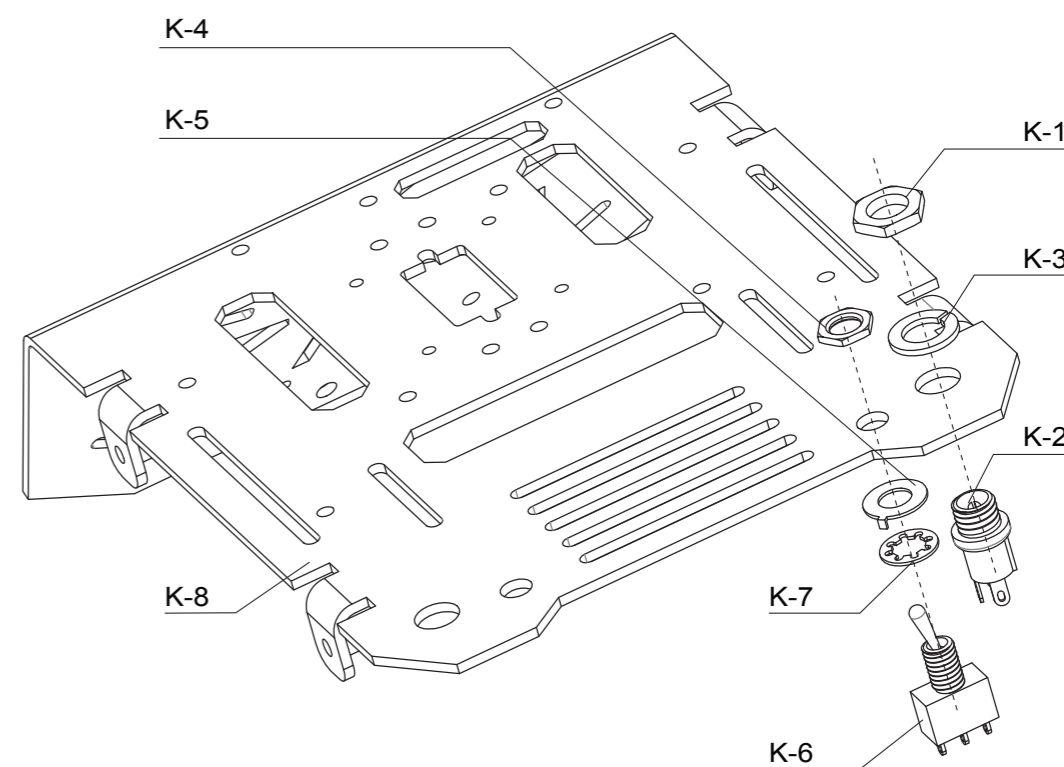
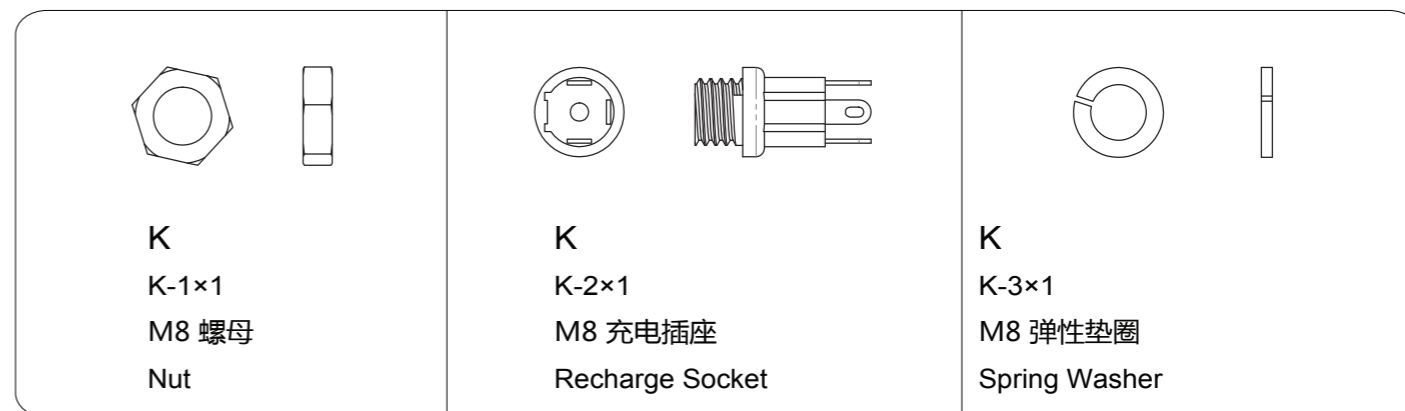
## 底板安装 Base Panel Installation



**J**  
J-1×2  
M3×10mm 内六角半圆头螺钉  
Round-Head Screw (M3×10mm)



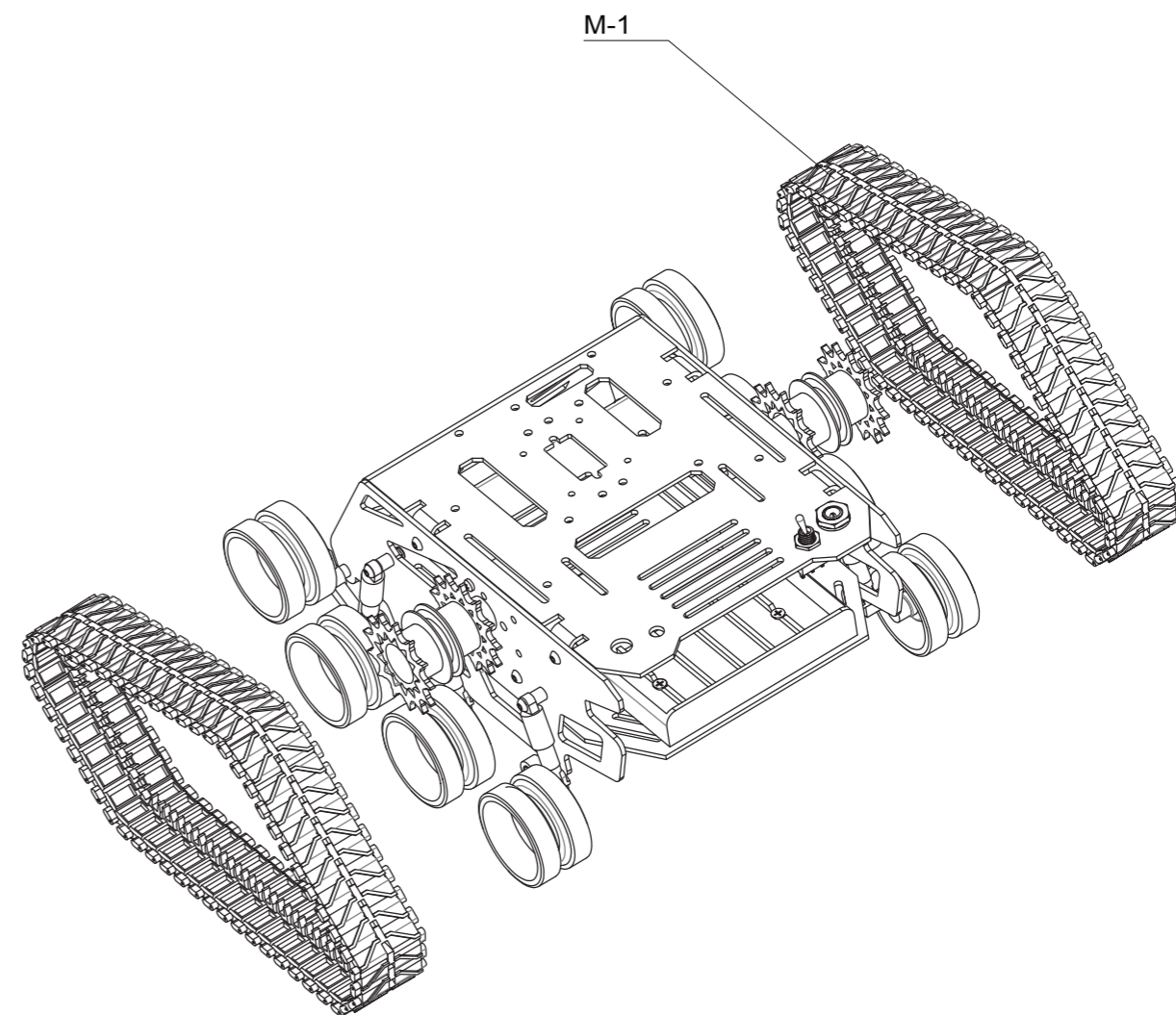
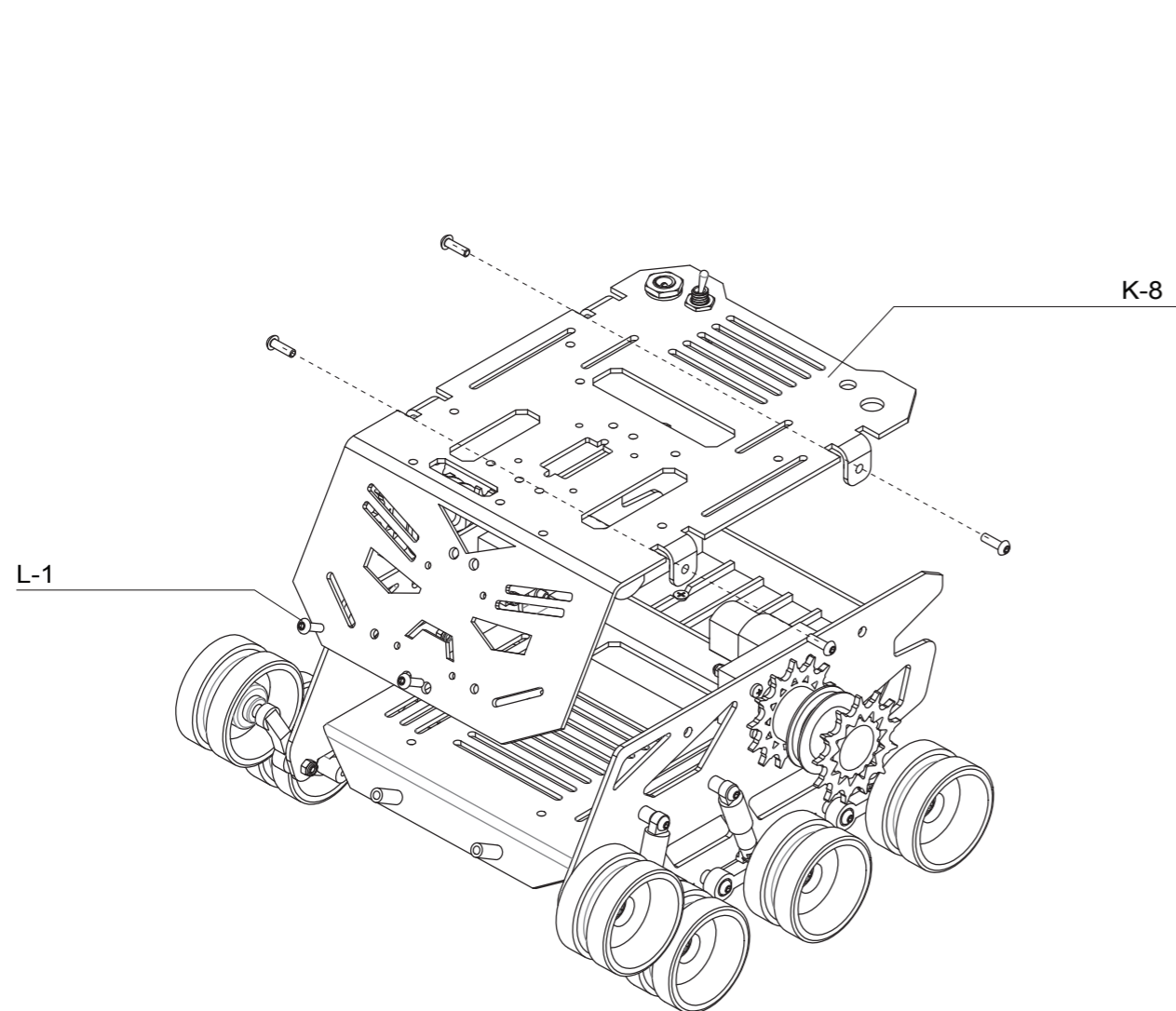
## 充电插座与开关安装 Recharger & Power Switch Assembly



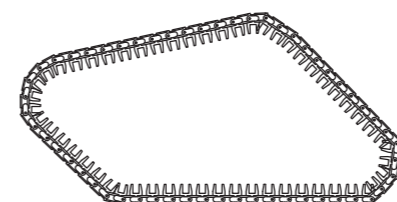
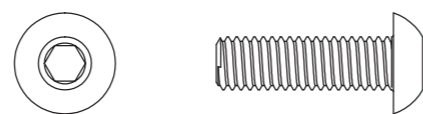


## 顶板安装 Top Panel Installation

## 履带系统 Track Installation



L  
L-1×6  
M3×10mm 内六角半圆头螺钉  
Round-Head Screw (M3×10mm)



M  
M-1×2  
履带  
Track

## 零部件清单 Parts List

编号 Product NO	盒编号 BOX	袋编号 Packet	名称 Name	数量 Amount	备注 Remark
A-1		A	从动轮摇臂3A Driven Wheel Rocker 3A	1	
A-2			从动轮摇臂2A Driven Wheel Rocker 2A	2	
A-3			减震器 Damper	3	
A-4			从动轮摇臂1A Driven Wheel Rocker 1A	1	
A-5			M2.6十字带垫自攻螺钉 Self-tapping Screw with Spacer	1	
B-1		B	从动轮摇臂3B Driven Wheel Rocker 3B	1	
B-2			从动轮摇臂2B Driven Wheel Rocker 2B	2	
B-3			减震器 Damper	3	
B-4			从动轮摇臂1B Driven Wheel Rocker 1B	1	
B-5			M2.6十字带垫自攻螺钉 Self-tapping Screw with Spacer	1	
C-1		C	左侧板 Left Panel	1	
C-2			M3防滑螺母 Non-Slip Nut	7	
C-3			M3内六角半圆头螺钉 Round-Head Screw	7	
D-1		D	右侧板 Right Plate	7	
D-2			M3防滑螺母 Non-Slip Nut	7	

## 零部件清单 Parts List Cont'd

编号 Product NO	盒编号 BOX	袋编号 Packet	名称 Name	数量 Amount	备注 Remark
D-3		D	M3内六角半圆头螺钉 Round-Head Screw	7	
E-1		E	电机 Motor	2	
E-2			M2.5十字螺钉 Cross Recessed Screw	4	
E-3			M2.5防滑螺母 Non-Slip Nut	4	
F-1		F	M3内六角平端紧定螺钉 Set Screw	4	
F-2			联轴器 Coupler	2	
G-1		G	M3内六角半圆头螺钉 Round-Head Screw	2	
G-2			驱动轮 Driving Wheels	2	
H-1		H	M2.6十字带垫自攻螺钉 Self-Tapping Screw with Spacer	8	
H-2			从动轮 Driven Wheel	8	
I-1		I	M3十字沉头螺钉 Sink-Head Screw	2	
I-2			M2.5防滑螺母 Non-Slip Nut	2	
I-3			底板 Base Plate	1	
I-4			电池盒 Battery Box	1	
J-1		J	M3内六角半圆头螺钉 Round-Head Screw	2	

零部件清单 Parts List Cont'd

编号 Product NO	盒编号 BOX	袋编号 Packet	名称 Name	数量 Amount	备注 Remark
K-1		K	M8螺母 Nut	1	
K-2			M8充电插座 Recharge Socket	1	
K-3			M8弹性垫圈 Spring Washer	1	
K-4			M5螺母 Nut	1	
K-5			M5专用垫片 washer	1	
K-6			M5电源开关 Power Switch	1	
K-7			M5防转垫圈 Anti-rotating Washer	1	
K-8			顶板 Top Panel	1	
L-1		L	M3内六角半圆头螺钉 Round-Head Screw	6	
M-1		M	履带 Track	2	
		T	连接线 Wires	1	
			M2内六角扳手 Hex Key	1	
			M1.5内六角扳手 Hex Key	1	
			十字螺丝刀 Phillips screwdriver	1	

