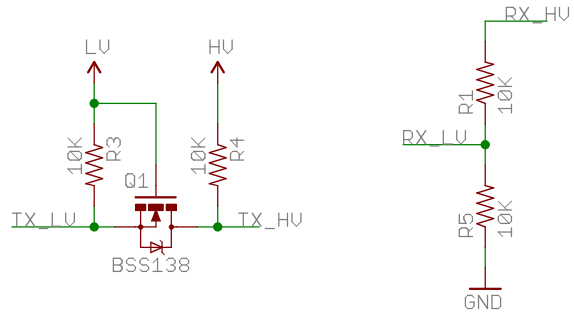
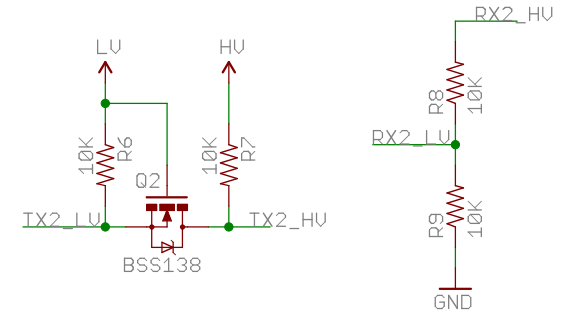


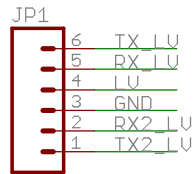
### Channel 1



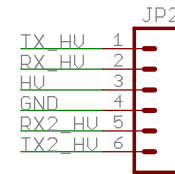
### Channel 2



### Low Voltage



### High Voltage



### Examples

| HV   | LV   | RX_LV<br>Max |
|------|------|--------------|
| 5V   | 3.3V | 2.5V         |
| 3.3V | 2.8V | 1.6V         |
| 5V   | 2.8V | 2.5V         |
| 5V   | 1.8V | 2.5V         |
| 3.3V | 1.8V | 1.6V         |

Spark Fun Electronics

TITLE: Level-Converter-v10

SFE

Document Number:

REV:

Date: 6/12/2008 9:15:18 PM

Sheet: 1/1