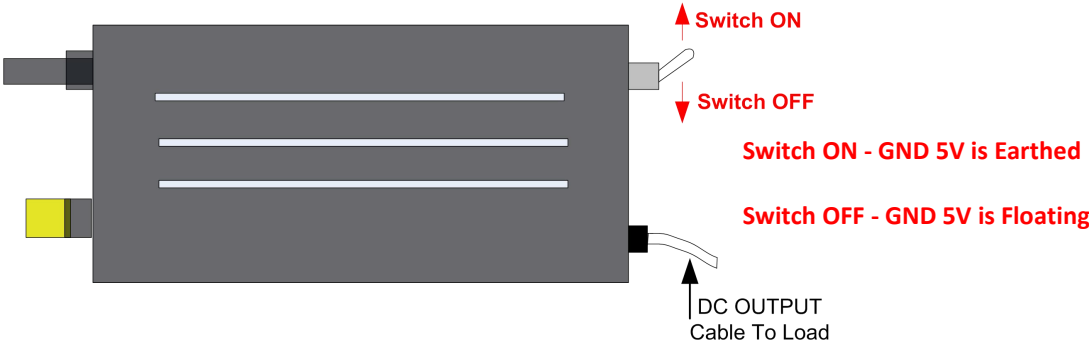


# Nirvana SMPS Connection Details

- Nirvana is a ultra Low Noise SMPS (0.8-1.2uV Noise on 0Hz to 20KHz 0A to 2.85A load)
- Noise on 100MHz bandwidth (0A to 2.85A load) less than 14uV
- One power rail output only with two shared connectors(DC output on Cable and USB)



- Chassis Ground always connected to Earth connector



## How to connect your system

### 1.Connection- 1

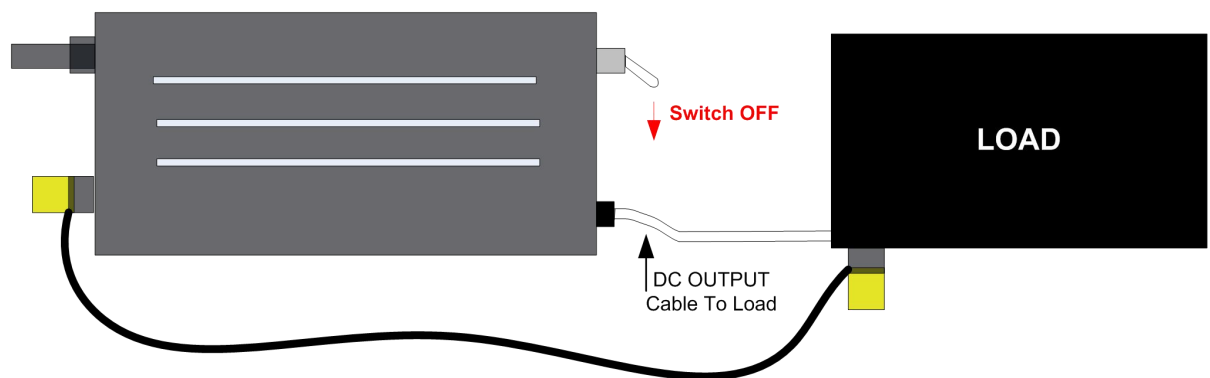


- Chassis Ground also connected to Earth connector

### 2.Connection- 2



### 3.Connection- 3



What is Best?

It depends on your system try all 3 type of connection and chose what sounds better